

DH-PFA157

Pole Mount Bracket



- Built of aluminum alloy and is cost-effective.
- Suitable for a variety of cameras and is elegant.



Scene

It is ideal for mounting cameras, and works in temperatures ranging from $-40\text{ }^{\circ}\text{C}$ to $+60\text{ }^{\circ}\text{C}$ ($-40\text{ }^{\circ}\text{F}$ to $+140\text{ }^{\circ}\text{F}$) and in environments with relative humidity of less than 90%.

Technical Specification

Structure

| | |
|----------------------|---|
| Material | Aluminum alloy |
| Dimensions | 140.0 mm × 130.4 mm × 45.0 mm (5.51" × 5.13" × 1.77") (L × W × H) |
| Color | White |
| Net Weight | 0.27 kg (0.59 lb) |
| Gross Weight | 0.56 kg (1.23 lb) |
| Load Bearing | 5.0 kg (11.02 lb) |
| Installation | Plane mount |
| Pole Diameter | 80 mm–150 mm (3.15"–5.91") |
| Applicable Camera | Please see "Accessory Selection" |
| Product Dimensions | 185.0 mm × 163.0 mm × 71.0 mm (7.28" × 6.42" × 2.8") (L × W × H) |
| Packaging Dimensions | 578.0 mm × 383.0 mm × 349.0 mm (22.76" × 15.08" × 13.74") (L × W × H) |
| Packaging Method | 30 pcs in each carton |

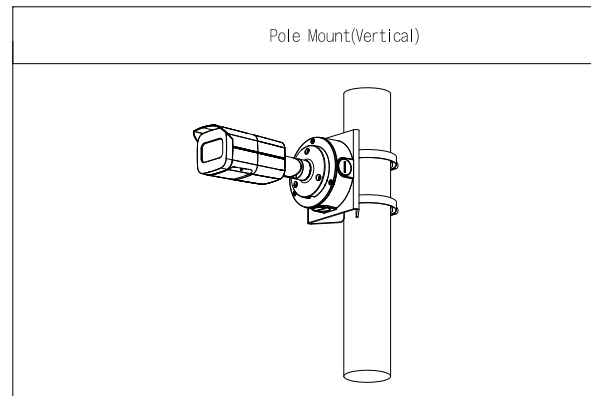
Environment

| | |
|-----------------------|--|
| Operating Temperature | $-40\text{ }^{\circ}\text{C}$ to $+60\text{ }^{\circ}\text{C}$ ($-40\text{ }^{\circ}\text{F}$ to $+140\text{ }^{\circ}\text{F}$) |
| Operating Humidity | < 90% (RH) |
| Storage Temperature | $-40\text{ }^{\circ}\text{C}$ to $+60\text{ }^{\circ}\text{C}$ ($-40\text{ }^{\circ}\text{F}$ to $+140\text{ }^{\circ}\text{F}$) |
| Storage Humidity | 10%–90% (RH) |

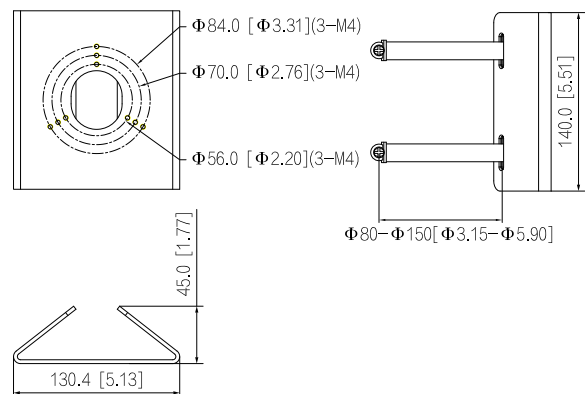
Ordering Information

| Type | Model | Description |
|--------------|-----------|--------------------|
| Camera Mount | DH-PFA157 | Pole Mount Bracket |

Installation



Dimensions (mm[inch])



Package Information

- Pole Mount Bracket × 1
- M4×10 screws × 3
- S3.0 wrench × 1
- Metal Hoop × 2
- Installation Guide × 1